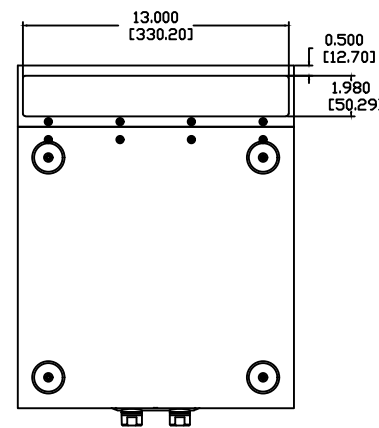
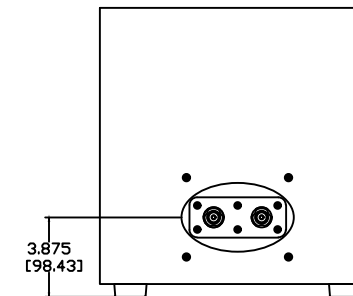
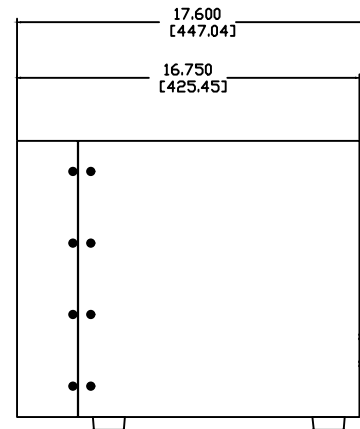
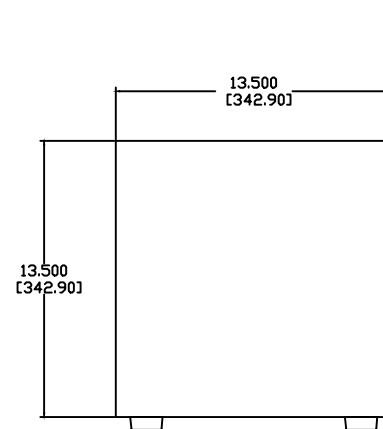
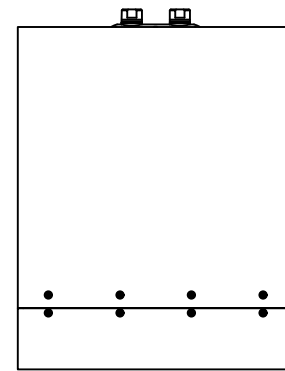
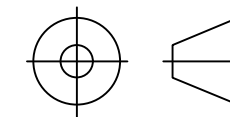


REVISIONS				
ECN	REV.	DESCRIPTION	DATE	APPROVED
20038	A	RE-RELEASE FOR PRODUCTION	10-02-20	



NOTES:

- 1: MATERIAL - 5052 ALUMINUM
UNLESS OTHERWISE SPECIFIED
- 2: FINISH: STUDIO BLACK POWDER COAT
UNLESS OTHERWISE SPECIFIED
- 3: DESIGNED TO BE USED WITH MODIFIED STANDARD EMB12 CABINET (DWR# 200325-S3D)



"THIRD ANGLE" PROJECTION

PROPRIETARY INFORMATION
THE DESIGNS, INFORMATION, AND DATA CONTAINED HEREIN ARE PROPRIETARY AND ARE SUBMITTED IN CONFIDENCE, AND SHALL NOT BE DISCLOSED, USED OR DUPLICATED IN WHOLE OR IN PART, FOR ANY PURPOSES WHATSOEVER, WITHOUT THE PRIOR WRITTEN PERMISSION OF JAMES LOUDSPEAKER LLC, 2185 PARK PL, MINDEN, NV 89423. THIS LEGEND SHALL BE MARKED ON ANY REPRODUCTIONS HEREOF IN WHOLE OR IN PART. RECEIPT OF THIS DOCUMENT SHALL BE DEEMED TO BE AN ACCEPTANCE OF THE CONDITIONS SPECIFIED HEREIN.

JAMES LOUDSPEAKER

EMB12BP

EXTERNAL DIMENSIONS

P/N: - DWR #: 201002-P201

REVISED BY:

DRAWN BY: P. KADLEC FILE:

DATE: 10-02-20 SCALE:

APPROVED:

DRAFTING APPROVED:

DO NOT SCALE DRAWING

DRAWING NOT TO BE USED FOR CNC

TOLERANCES: ANG: ± = .5° FRACT. ± = 1/32

DECIMALS: .XX ± = .01 .XXX ± = .005

REVISION: A

SHEET 1 OF 5