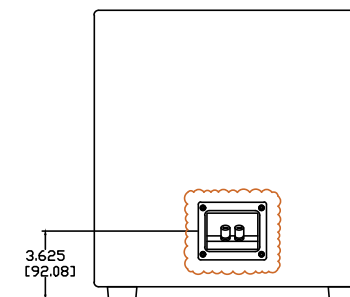
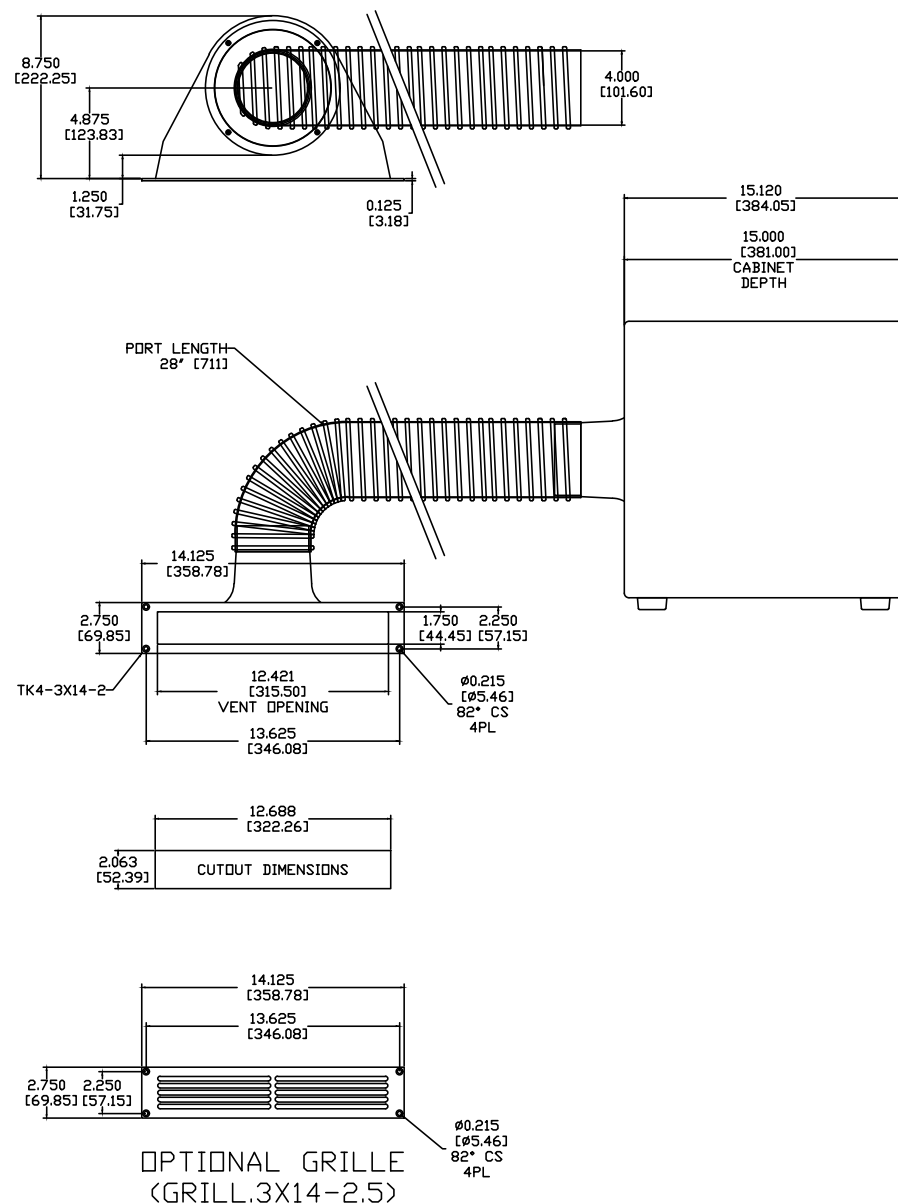
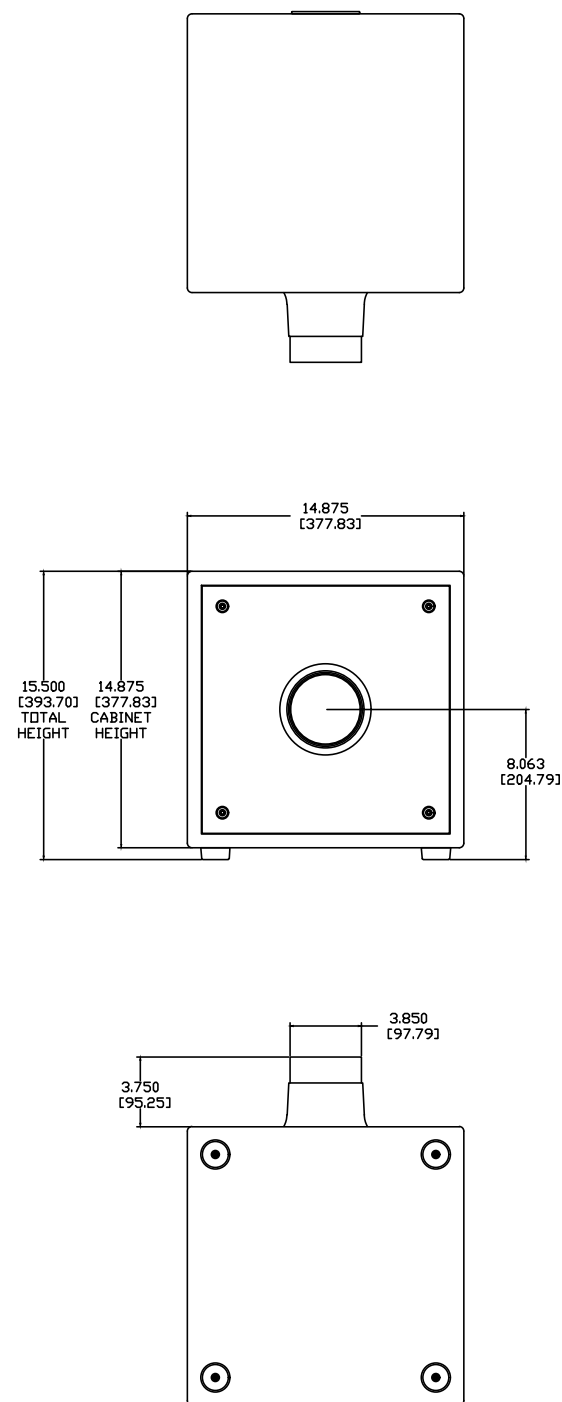
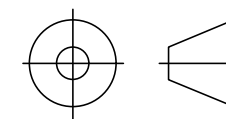


REVISIONS				
ECN	REV.	DESCRIPTION	DATE	APPROVED
	A	RELEASE FOR PRODUCTION	04-18-08	
	B	DRAWING UPDATED TO MATCH PRODUCTION	11-14-18	
21043	C	REMOVE LOGO, SWITCH TO TERM.006 SWITCH FROM 8-32 TEE NUTS TO BARBED INSERTS	08-03-21	



NOTES:

- 1: MATERIAL - MDF WOOD  
UNLESS OTHERWISE SPECIFIED
- 2: FINISH - STUDIO BLACK  
UNLESS OTHERWISE SPECIFIED
- 3: PORT LENGTH - 4" DIA. @ 28" LONG



"THIRD ANGLE" PROJECTION

PROPRIETARY INFORMATION  
THE DESIGNS, INFORMATION, AND DATA CONTAINED HEREIN ARE PROPRIETARY AND ARE SUBMITTED IN CONFIDENCE, AND SHALL NOT BE DISCLOSED, USED OR DUPLICATED IN WHOLE OR IN PART, FOR ANY PURPOSES WHATSOEVER, WITHOUT THE PRIOR WRITTEN PERMISSION OF JAMES LOUDSPEAKER LLC, 2185 PARK PL, MINDEN, NV 89423. THIS LEGEND SHALL BE MARKED ON ANY REPRODUCTIONS HEREOF IN WHOLE OR IN PART. RECEIPT OF THIS DOCUMENT SHALL BE DEEMED TO BE AN ACCEPTANCE OF THE CONDITIONS SPECIFIED HEREIN.

JAMES LOUDSPEAKER

PP12

EXTERNAL DIMENSIONS

P/N: -

DWR #: 080418-A01

REVISED BY: S. LOESCH

DRAWN BY: M. PARK

DATE: 04-18-08

APPROVED:

DRAFTING APPROVED:

SCALE:

TOLERANCES: ANG: ± = .5° FRACT. ± = 1/32  
DECIMALS: .XX ± = .01 .XXX ± = .005

REVISION: C