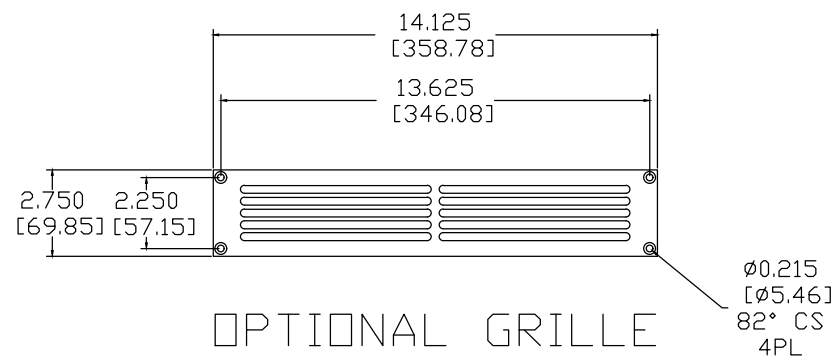
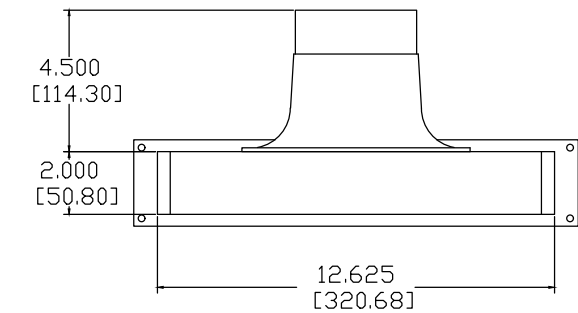
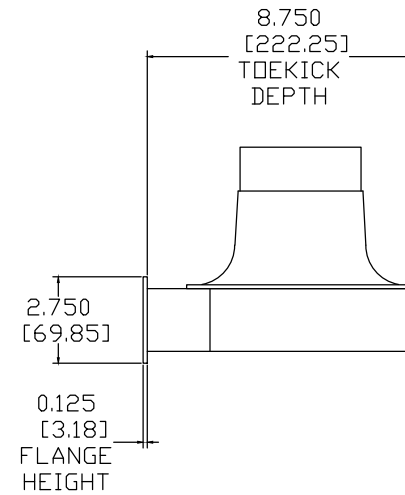
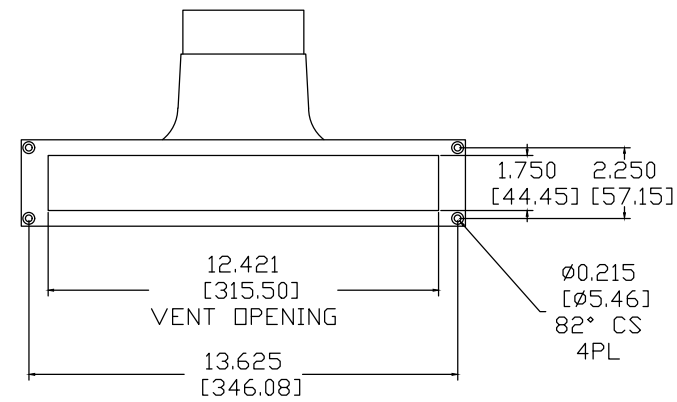
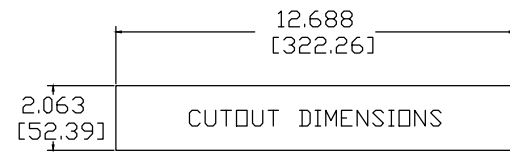
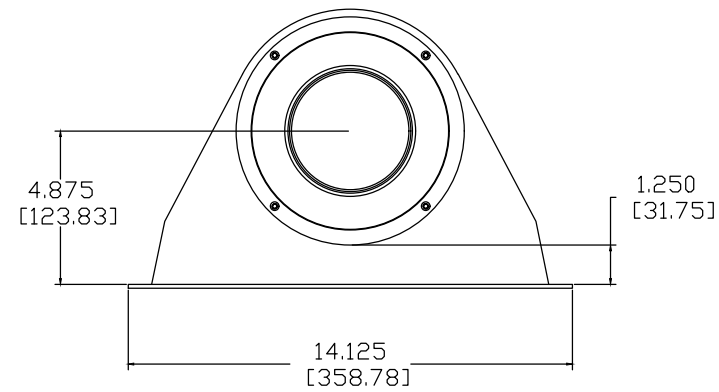
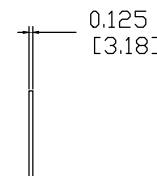


REVISIONS				
ECN	REV.	DESCRIPTION	DATE	APPROVED
	A	RELEASE FOR PRODUCTION	03-06-07	
20053	B	DRAWING BROKEN OUT AND UPDATED	11-04-20	

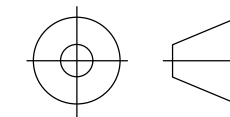


OPTIONAL GRILLE  
(GRILL.3X14-2.5)



NOTES:

- 1: MATERIAL - 0.125" THICK 5052 ALUMINUM  
UNLESS OTHERWISE SPECIFIED
- 2: FINISH - STUDIO BLACK POWDER COAT  
UNLESS OTHERWISE SPECIFIED
- 3: DESIGNED TO BE USED WITH 4" POWER PIPE HOSE



"THIRD ANGLE" PROJECTION

QTY	PART NUMBER	PART NAME	MATERIAL
4	CF.8-32X1/2-SCS	8-32 X 1/2" SOCKET CAP	18-8SS
1	MISC.FLANGE.001	PORT FLANGE ADAPTER	PLASTIC

BILL OF MATERIALS

PROPRIETARY INFORMATION	THE DESIGNS, INFORMATION, AND DATA CONTAINED HEREIN ARE PROPRIETARY AND ARE SUBMITTED IN CONFIDENCE, AND SHALL NOT BE DISCLOSED, USED OR DUPLICATED IN WHOLE OR IN PART, FOR ANY PURPOSES WHATSOEVER, WITHOUT THE PRIOR WRITTEN PERMISSION OF JAMES LOUDSPEAKER LLC, 2185 PARK PL, MINDEN, NV 89423. THIS LEGEND SHALL BE MARKED ON ANY REPRODUCTIONS HEREOF IN WHOLE OR IN PART. RECEIPT OF THIS DOCUMENT SHALL BE DEEMED TO BE AN ACCEPTANCE OF THE CONDITIONS SPECIFIED HEREIN.		
	JAMES LOUDSPEAKER		
	TK4-3X14-2		
	P/N: -	DWR #:	130410-C00
	REVISED BY:	S. LOESCH	
	DRAWN BY:	M. PARK	FILE:
	DATE:	03-06-07	SCALE:
	APPROVED:		
	DRAFTING APPROVED:		
	DO NOT SCALE DRAWING		
	DRAWING NOT TO BE USED FOR CNC		
	TOLERANCES: ANG: ± = .5° FRACT. ± = 1/32		
	DECIMALS: .XX ± = .01 .XXX ± = .005		
	REVISION:	A	SHEET 1 OF 2